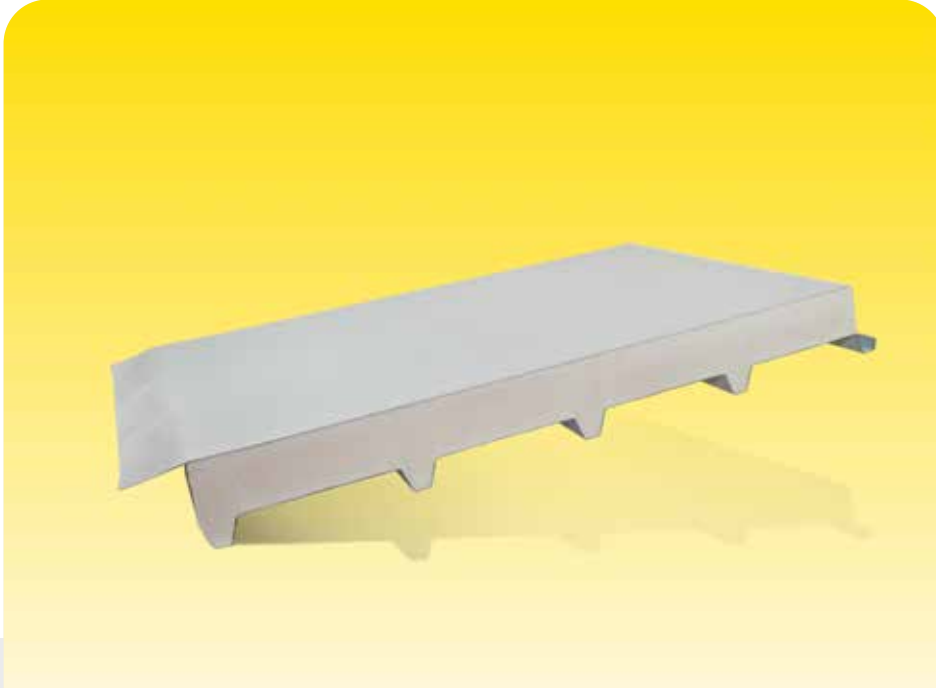


1.14 FIBRO PANEL

It is produced to provide thermal insulation for roofs with a slope smaller than 7 %. It is a polyurethane/PIR insulated roof panel and its top surface is covered with PVC or TPO membrane.

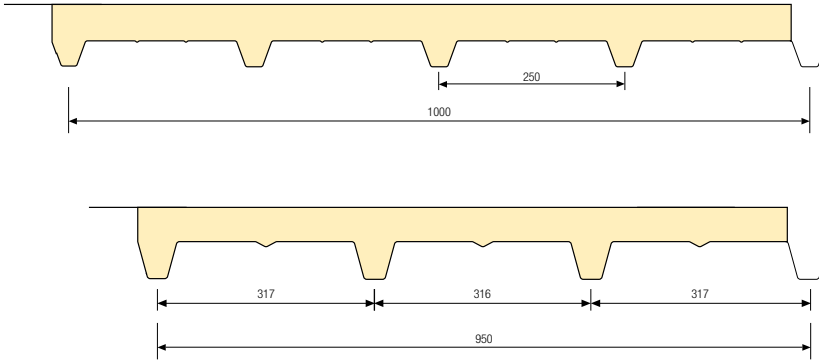


Technical Specifications	Fibro Panel	
	Useful Width (mm)	1000
Rib Height (mm)	35	55
Rib Count	5	4
Sheet Type and Thickness (mm)	Painted Galvanized Sheet (0,60 - 0,70) PVC/TPO Membrane (1,20 - 2,00)	
Density	40 (± 2) kg/m ³	
Paint Type	Polyester PVdF	
Colour	RAL 9002 ^a	
Insulation	Polyurethane/PIR	
Insulation Thickness (mm) - h	40 - 50 - 60 - 75 - 80 - 100	
Declared Thermal Conductivity (W/mK)	≤ 0,023	
Reaction to External Fire	Broof (t ₂) [*]	

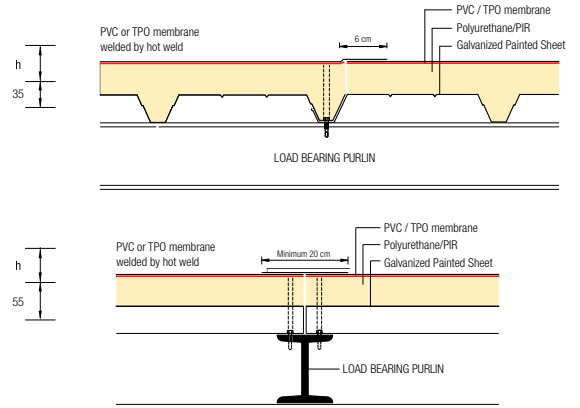
^aIt is the standard colour. Other colours are produced on demand.
^{*}Valid for PIR insulation

1.14 PANEL DETAIL

www.tekiz.com.tr



Panel Joint Detail



Load Tables

SPC 1000 5R FIBRO PANEL		Multi Support Span (L/200 L=m)						
Panel Thickness (mm)	Panel weights (kg/m ²)	1,0	1,5	2,0	2,5	3,0	3,5	4,0
		Distributed Load Bearing (P=kg/m ²)						
0,6	10,3	554	260	160	105	60	38	26
0,7	11,2	704	325	188	124	71	45	30
0,8	12,1	840	382	212	140	81	51	34

SPC 950 4R FIBRO PANEL		Multi Support Span (L/200 L=m)						
Panel Thickness (mm)	Panel weights (kg/m ²)	1,0	1,5	2,0	2,5	3,0	3,5	4,0
		Distributed Load Bearing (P=kg/m ²)						
0,6	10,5	1014	482	312	211	109	79	49
0,7	11,4	1310	614	378	256	134	96	59
0,8	12,3	1583	734	435	295	155	111	67

Panel weight is for 75 mm thickness.